

# Optronis

*Make time visible*

CamRecord

CR600x2



## HIGH-SPEED VIDEO CAMERA

**Compact and light sensitive  
High-Speed camera with 500 fps**

- > **500 fps (images/second)**
- > **Very compact housing**
- > **Very high light sensitivity**
- > **Resolution 1280 x 1024 pixels**
- > **Gigabit Ethernet Interface**
- > **Monochrome / Color**
- > **Up to 16 GB internal memory**
- > **User friendly software**

# CamRecord CR600x2

Insight allows understanding.

## Performance (Examples)

Framerate / second (maximum)	Resolution (H x V)	Recording Time (16 GB, max. Framerate)
500 fps	1280 x 1024	26 sec
1 200 fps	800 x 600	27 sec
2 000 fps	512 x 512	30 sec
6 500 fps	256 x 256	36 sec
16 000 fps	128 x 128	60 sec
76 000 fps Max. Speed	16 x 16	260 sec

## Model Overview

CR600x2 /options	Description
/2GB /4GB /8GB or /16GB	Memory size in GB
/M or /C	Monochrome or color sensor
/FM or /CM	Nikon F-Mount or C-Mount

## Optional Accessories

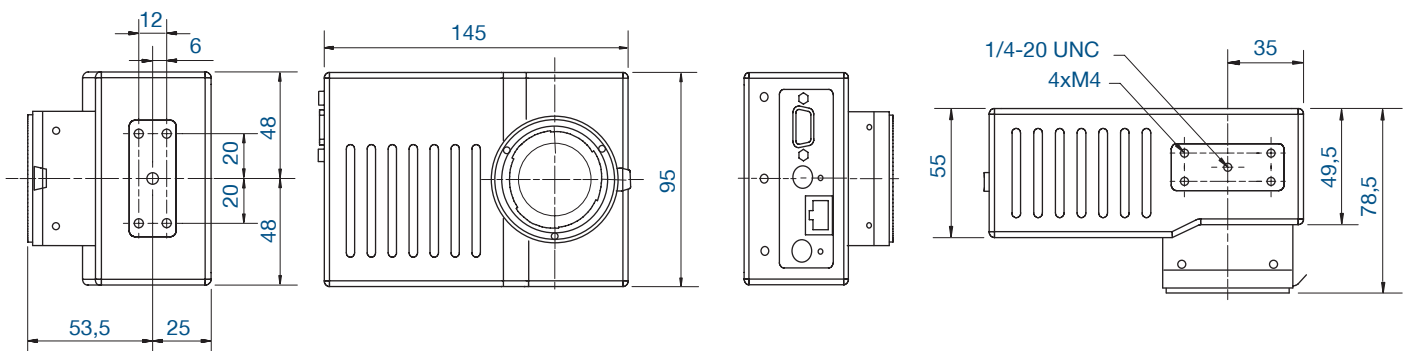
- LabView driver (Part number CR-LabView)
- Software development kit (Part number CR-SDK)
- Lenses, lights, tripod, trigger switches and more accessories on request.

## Connector Pin Assignment

4-pin LEMO FGG0B304CLAD52Z			
Pin 1	Sync IN	Pin 3	GND
Pin 2	Trig IN	Pin 4	Sync OUT

## Specifications

Resolution	1280 x 1024 pixel
Frame Rate @ Max. Resolution	500 fps
Image Sensor	Progressive Scan CMOS
Exposure Time	1 $\mu$ s - 1/Framerate
Active Area	17,92 mm x 14,34 mm
Sensor Diagonal Dimension	22,95 mm
Pixel Size	14 $\mu$ m x 14 $\mu$ m
A/D Conversion	10 Bit or 8 Bit
Dynamic	60 dB (90 dB optical)
Sensitivity	25 V/lux*s
Shutter	global electronic, >1 $\mu$ s exposure time
Trigger Signal	TTL, switch, open collector, rising or falling edge, on image content variation
Synchronization	internal, external
Interface	Gigabit Ethernet
Video Output	VGA
Power	12 VDC / 12 W
Lens Mount	Nikon F-Mount (optional C-Mount)
Weight	1050 g
Operating Temperature	0 .. 40°C
Humidity	< 80 % relative, non-condensed
Dimensions	145 mm x 95 mm x 78,5 mm
Conformity	CE, RoHS
Scope of delivery	Camera CR600x2, 5 m GigE cable, power supply, manual, trigger cable and TimeBench software for Windows XP, Vista and Windows 7



The information given herein is believed to be reliable, however Optronis makes no warranties as to its accuracy or completeness. Data sheet is subject to modifications at any time. 07/2010